

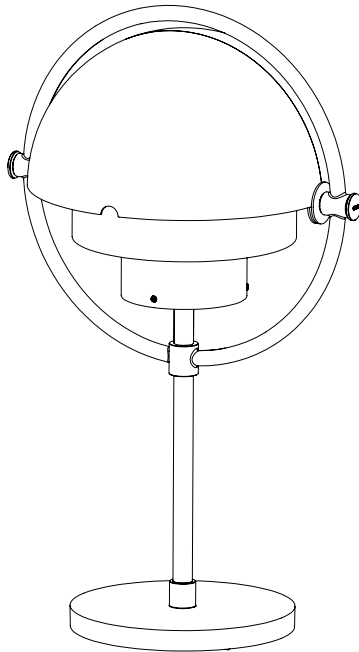
# GUBI

ASSEMBLY INSTRUCTIONS

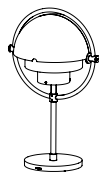
*for*

Multi-lite Portable Lamp

---



### CONTENTS



x1



x1



x1



x1

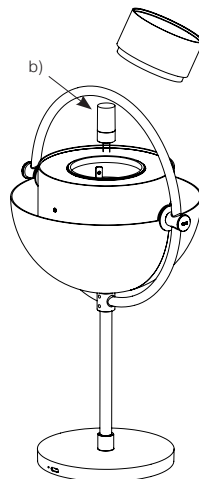
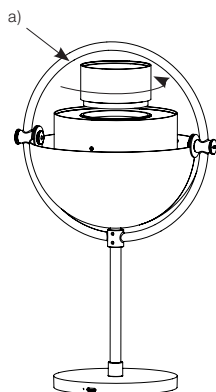
## 1.

Loosen and detach the threaded top cap covering the socket (a)

Insert the GUBI G4 bulb (included) into the socket placed in center of the lamp (b)

Make sure that the bulb is placed in upright position.

Once the lightbulb is fixed, re-attach the top cap back in position. Make sure the cap is fully tightened.



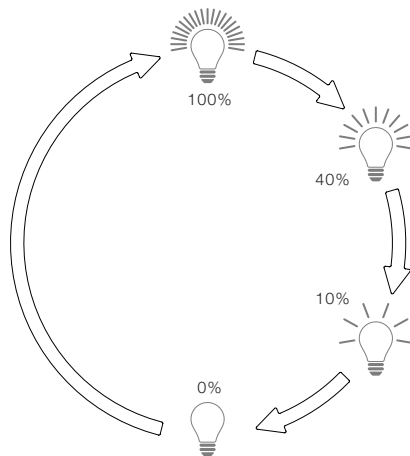
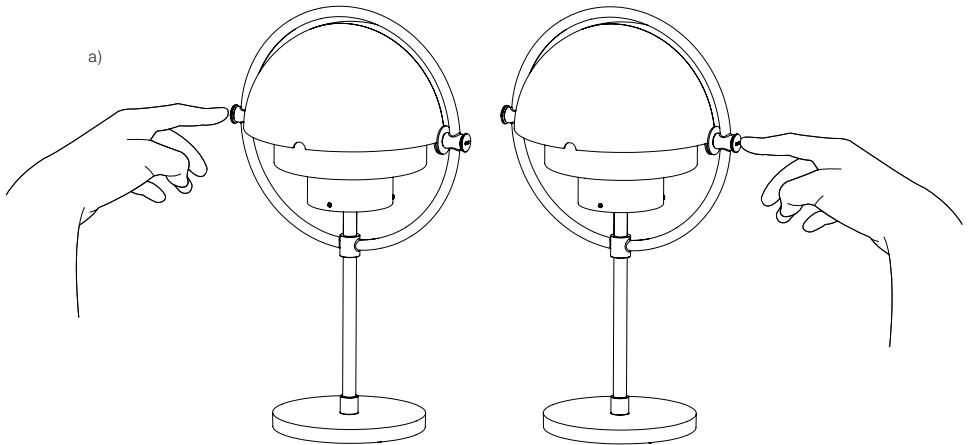
Note: If using other light bulbs than included, GUBI cannot vouch for given light and battery efficiency. If in need of a new light bulb, please contact GUBI.

## 2.

### Use

Activate the lamp by touching either side of the lamp (a).

First touch will activate the light with 100% intensity.  
Second touch 40% intensity, third touch 10% intensity,  
fourth touch OFF.

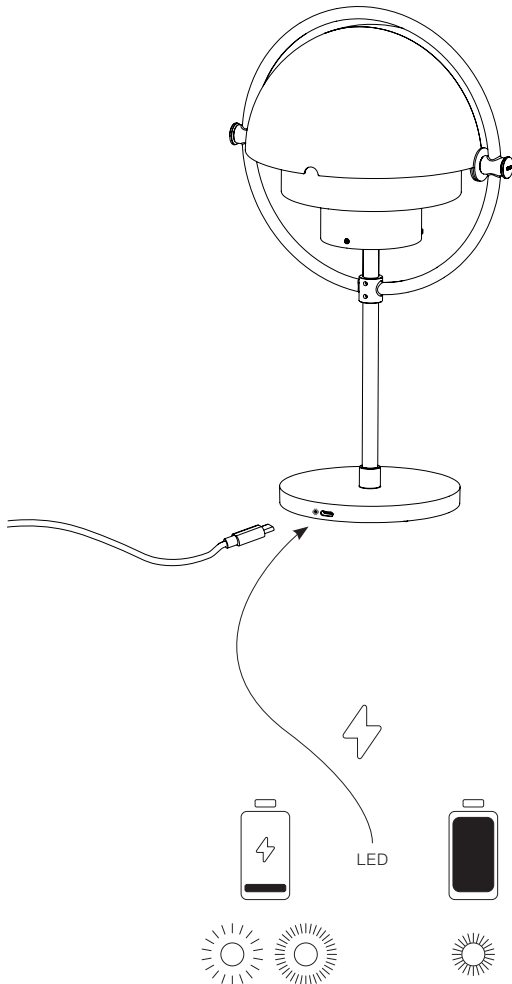


### 3.

#### Charging

Plug the USB-C electrical cable using a USB recharger (example: like a Phone charger) with 5V and min 1.000 mAh of power (Charger not included)

LED indicator will calmly breathing while charging, when charge is complete the LED indicator will show constant warm white light. Please remove charging cable after full charge. Lamp can be activated while USB cable is connected.



#### Battery

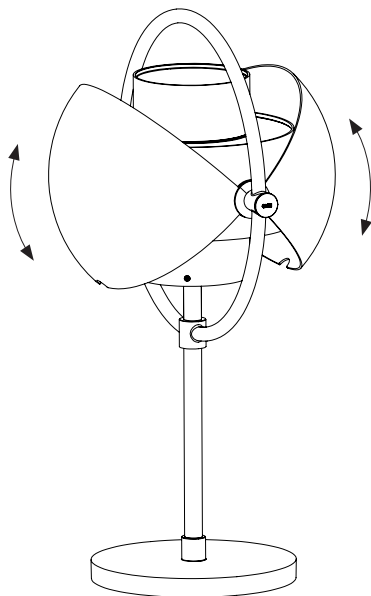
Light Duration: On full intensity (100% Charged), lamp will light up for 6,5H. On 40% intensity, light time will reach 14H and for 10% intensity is above 30H.

Charge time: 6H to reach fully charged (1.000 mAh current). Lamp can be used while charging, but it will affect the charging time.

## 4.

### Adjust position

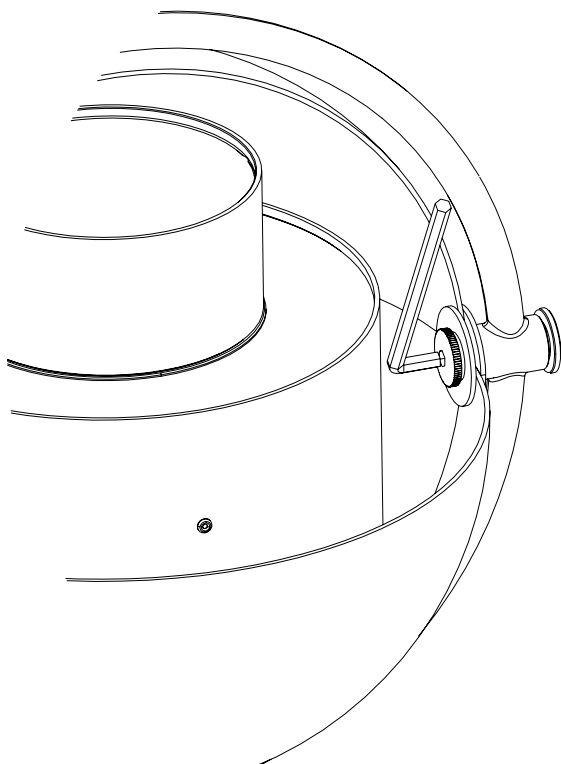
Half-shades can be adjusted to obtain the desired light.



## Friction

Over time the outer shades on Multi-lite portable might lose friction.

Attached hex-key makes it possible to tighten the connection between the shade to retain desired friction.





## CARE INSTRUCTIONS

Daily cleaning can be done by wiping the frame with a clean dry cloth. Should the surface need more attention this can be cleaned with water and a light detergent or soap applied with a damp cloth. Wipe after with a clean dry cloth. Avoid any abrasive materials.

## MESURES D'ENTRETIEN

Le cadre doit être nettoyé à l'aide d'un chiffon propre et sec. Pour un nettoyage plus profond, utilisez de l'eau et un détergent léger ou du savon et appliquer sur un chiffon humide puis essuyez à nouveau à l'aide d'un chiffon propre et sec. Éviter les matériaux abrasifs.

## TROUBLESHOOTING

If lamp does not light, turn off the power. Check the bulb for a broken filament. Replace bulb if necessary, then turn it on. If the lamp still does not light, please contact customer service at the local dealer. If the external flexible cable or cord of this lamp is damaged, it must be replaced by a qualified electrician in order to avoid a hazard.

## EN CAS DE PANNE

Si la lampe ne s'allume pas, coupez l'alimentation. Vérifiez l'ampoule pour un filament cassé. Remplacez l'ampoule si nécessaire, puis allumez-la. Si la lampe ne s'allume toujours pas, veuillez contacter le service client du revendeur local. Si le câble flexible externe ou le cordon de cette lampe est endommagé, il doit être remplacé par un électricien qualifié afin d'éviter tout danger.

## TECHNICAL INFORMATION

Light sources: G4, 215 Lumen (Max 1,6W LED). Turn power off when changing light bulb. Isolation class III. The lamp is approved for outdoor use in damp/wet rooms (IP23). If the lamp is exposed to liquid, it must be dry before operating.

## INFORMATIONS TECHNIQUES

Sources lumineuses : G4, 215 lumens (LED 1,6 W max.). Couper l'alimentation lors du changement d'ampoule. Classe d'isolement III. La lampe n'est homologuée pour une utilisation en extérieur dans des pièces humides/humides (IP23)

## ENVIRONMENTAL PROTECTION

Electrical products must be thrown out with domestic waste. They must be taken to a communal collecting point for environmentally friendly disposal in accordance with local regulations. Contact your local authorities or retailer for advice on recycling. The packaging material is recyclable. Dispose of the packaging in an environmentally friendly manner and make it available for recyclable material collection-service. Do not incinerate.

## PROTECTION DE L'ENVIRONNEMENT

Les produits électriques doivent être jetés avec les ordures ménagères. Ils doivent être déposés dans un point de collecte conformément aux réglementations en vigueur afin de respecter la protection de l'environnement. Pour toute information sur le recyclage veuillez-vous renseigner auprès de votre commune. L'emballage est recyclable.

Pensez bien au tri. service de collecte de matériel. Ne pas incinerer.



For enquiries contact GUBI A/S - CVR: 17940384  
Orientkaj 18-20. 2150 Nordhavn. Copenhagen, Denmark

T +45 69 15 60 60 – [order@gubi.com](mailto:order@gubi.com)

[GUBI.COM](http://GUBI.COM)