

Safety instructions

Important! Before commencing installation work disconnect the main cable from the power supply - remove fuse or turn switch to "OFF"!

1. Installation should be carried out in accordance with the local safety regulations.
2. In order to prevent damage, please check walls for cables before drilling holes.
3. Please ensure that all electrical connections (even preassembled lamps) are screwed tightly or are fully inserted as good contact is essential for a long life-span at high currents. Please check for tight connections after changing or adjusting lamps. Screwed connections must be tightened after 20 minutes.
4. Please do not place objects on your system (e.g. for decorative purposes) if they were not delivered with the system.
5. The lamps get very hot when in use. Please allow lamps to cool down before touching.
6. Do not change lamps or spots when switched on.
7. System should not be enlarged with additional lamps.
8. Use of a dimmer is highly recommended. Dimmer must be compatible with type of bulb.
9. The glass used for this lamp is hand-blown. Only 1st. quality has been chosen. Air bubbles and variations in thickness and colour is normal.
10. We reserve the right to make technical alterations.

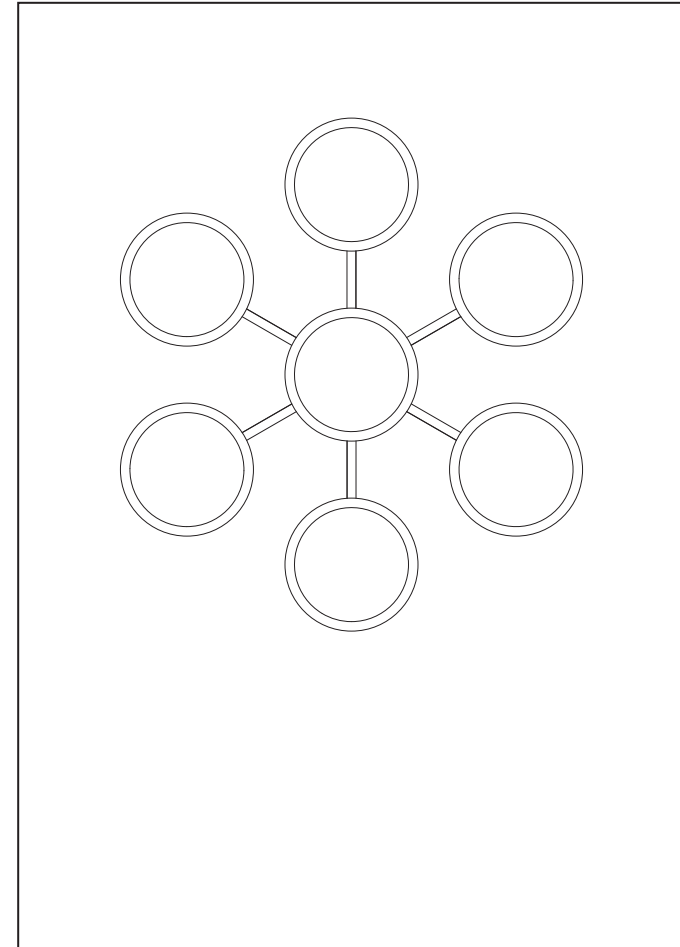
Please keep these instructions.

Fitting: G9

2021-04-19 EU

Liila Star

Assembly Instructions



NUURA

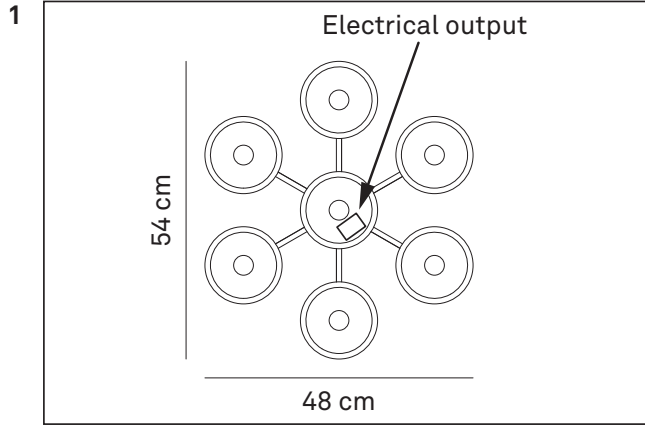
www.nuura.com
info@nuura.com



© 2021 All rights reserved

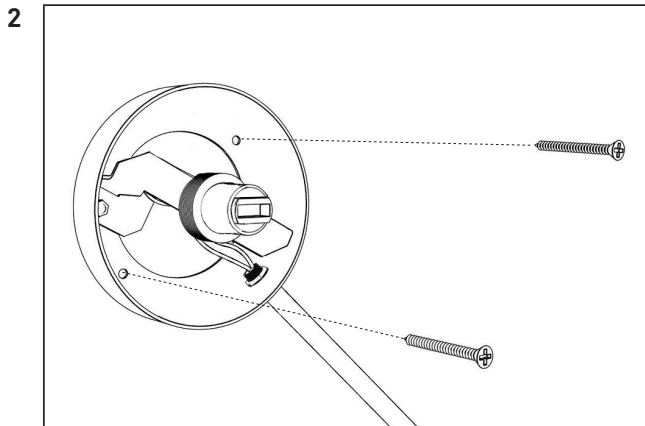
NUURA

© 2021 All rights reserved



The outer measurements including the cover plates are 48x54 cm.

The electrical output of the Liila 7 star is situated in the center casing.

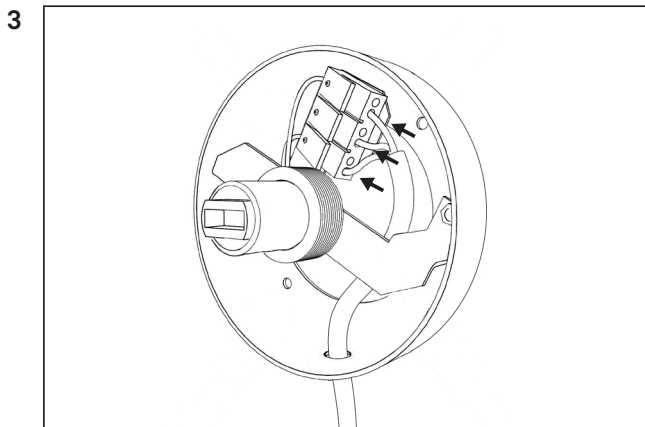


Mount the back part of the lamp to the wall or ceiling with screws.

Make sure to use appropriate screws and rawplugs/anchors for your construction.

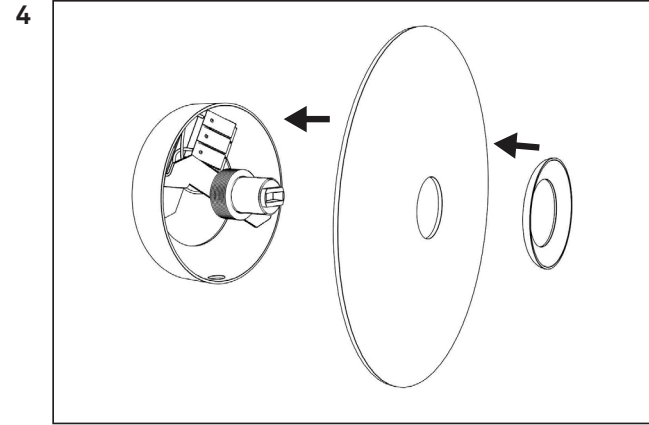
Please make sure the lamp is fixated properly.

NB. We recommend a minimum of 6 screws evenly positioned around the lamp.

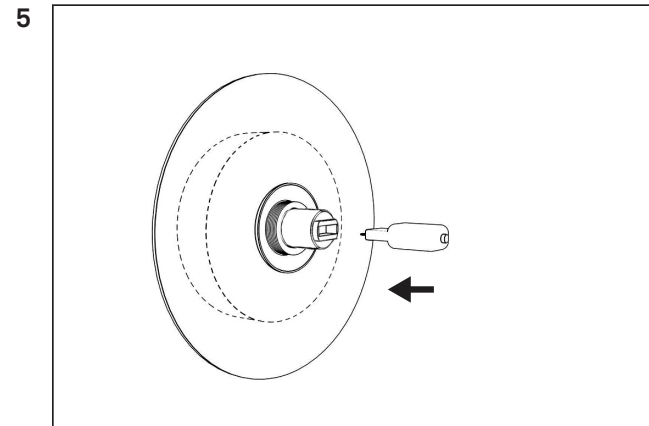


Lead the power cable in through the back or bottom of the where the cable connector resides.

Connect the wire-ends to the cable connector. Match the brown wire with "L" the blue wire with "N" and the green/yellow wire with the grounding symbol

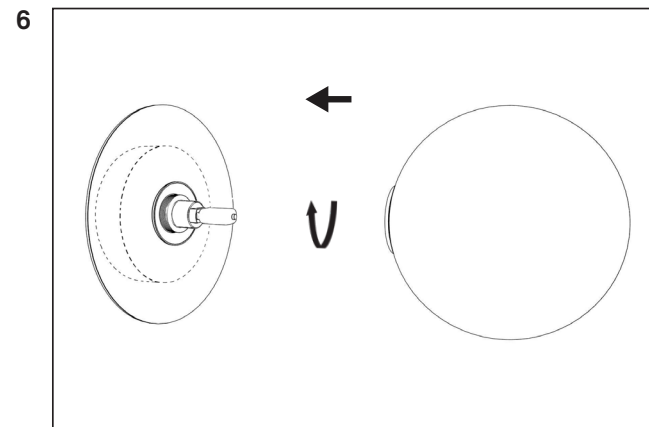


Carefully place the cover plate over the socket. Afterwards place the small metal plate over the socket.



Place a G9 light bulb in the socket. The bulb is NOT included.

A recommended light bulb can be found on www.nuura.com



Carefully place the glass globe over the light bulb. Turn clockwise to attach the glass globe.

IMPORTANT: Do NOT over tighten, the glass may fracture.