

## Instructions

# Drip HW58-HW60 & HW115-HW117 Hee Welling 2021



---

Please read these instructions carefully and retain them for future reference to ensure the product is used correctly. For your own safety, please study each step of this instruction manual first. &Tradition is not responsible for any faults or damage caused by not following these instructions correctly. Do not modify this product in any way. If you have any questions or comments, please do not hesitate to contact us by mail on: [info@andtradition.com](mailto:info@andtradition.com)

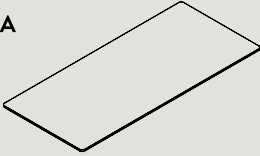
**&Tradition<sup>®</sup>**

Drip HW58-HW60  
& HW115-HW117  
Hee Welling  
2021

---

Please read these instructions carefully and retain them for future reference to ensure that the product is used correctly. For your own safety, please study each step of this instruction manual first. &Tradition is not responsible for any faults or damages caused by not following these instructions correctly. Do not modify this product in any way.

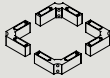
A



B



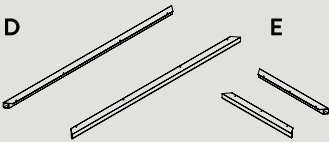
C



**Contents**

- A Table top
- B Leg x 4
- C Corner bracket x 4
- D Long frame x 2
- E Short frame x 2
- F Flat head screw x 16
- G Short button screw x 12
- H Long flat head screw x 8
- I Cover component x 4
- J Small Allen key
- K Small Allen key

D



E

**Safety precautions**

- Dispose of plastic bag from packaging and do not allow children to play with it.
- The table is only intended for indoor use.
- Handle tabletop with care in order not to scratch surfaces.
- Two or more adults are required when lifting the table.

F



G



H



I



J



K



### **Cleaning instructions**

Laminate can be cleaned with a soft cloth wrung in a mild solution of lukewarm water and an universal cleaning detergent. Always wipe with a dry soft cloth after cleaning. For difficult stains such as coffee or tea use a nylon bristle brush with mild household cleaner or detergent, rinsing with clean water and repeating as necessary. Rinse thoroughly with water.

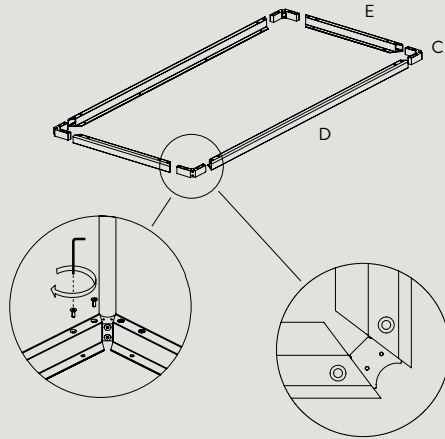
Aluminium (powder coated or polished) can be cleaned using a soft cloth wrung in lukewarm water. Always dry immediately with a soft cloth. Avoid use of abrasive cleaning products such as steel wool as this will cause damage to the surface.

## Step 1 / 4

---

Insert the corners (C) into the frames (D & E) as shown and attach them with screw (F). The 2 small holes on the corners (C) must be facing upwards, see illustration.

Important: Install only the screws slightly and then finally tighten all of them.

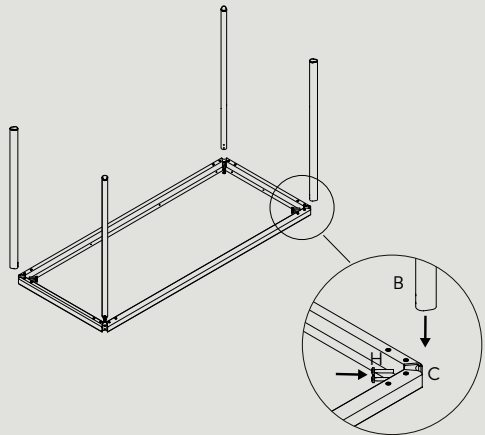


**NB!** Make sure the holes on the corner (C) are facing up.

## Step 2 / 4

---

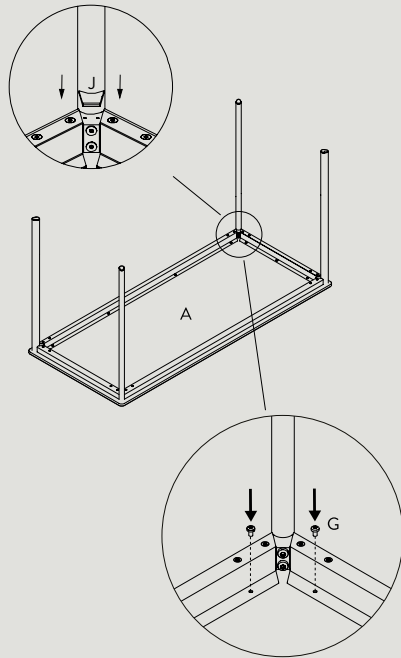
Place the leg-section on the frame upside down and align all four legs in each corner (C). Install two long button screws (H) in each corner to connect them.



### Step 3 / 4

---

Place the cover components (J) on each of the 4 corners



### Step 4 / 4

---

Place the tabletop (A) upside down on a soft, flat surface and place the frame on top, upside down.

Important: Install only the screws (G) slightly and then finally tighten all of them to secure correct fit.

Finally, flip the table and enjoy your product.

