

Instructions

X HM13

Hvidt & Mølgaard 1959



Please read these instructions carefully and retain them for future reference to ensure the product is used correctly. For your own safety, please study each step of this instruction manual first. &Tradition is not responsible for any faults or damage caused by not following these instructions correctly. Do not modify this product in any way. If you have any questions or comments, please do not hesitate to contact us via email at: info@andtradition.com

&Tradition®

X HM13

Hvidt & Mølgaard

1959

Safety precautions

- Dispose of plastic bag from packaging and keep out of reach of children.
- Handle with care in order to not scratch surfaces.
- Two or more adults are required when lifting the table.
- The table is intended for interior use only.

Contents

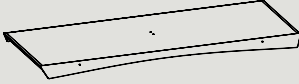
- A** Table top x 1
- B** Stretcher x 1
- C** Legs x 2
- D** Screws x 8
- E** Washer x 6
- F** Allen Key x 1

Cleaning instructions

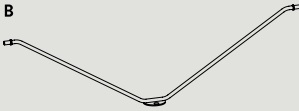
Lacquered or stained wood

Lacquered or stained wood offers a stronger surface than oiled wood and is also effective when coloured surfaces are desired. Compared to oiled wood, lacquered and stained wood is easier to clean and requires minimal maintenance. For daily care it is recommended to dust the furniture with a soft cloth. Lacquered and stained wood can be cleaned with a soft cloth wrung in a mild solution of lukewarm water and a universal cleaning detergent. Always follow the wood grain and dry with a soft, dry cloth immediately after cleaning. Avoid use of abrasive cleaning agents and aggressive cleaning detergents as this will damage the surface of the lacquered or stained wood. Avoid placing wooden furniture in direct sunlight, excessive heat or humidity.

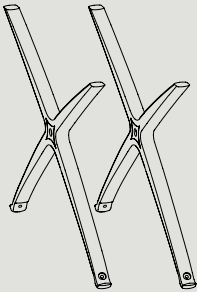
A



B



C



D



E



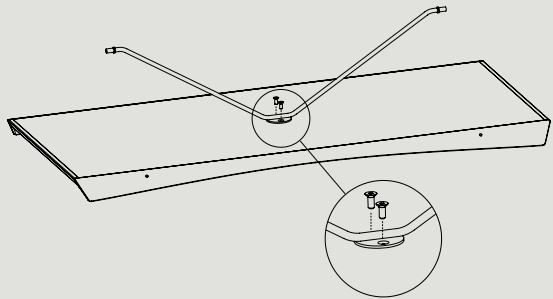
F



Please follow steps 1-3 to assemble the product.

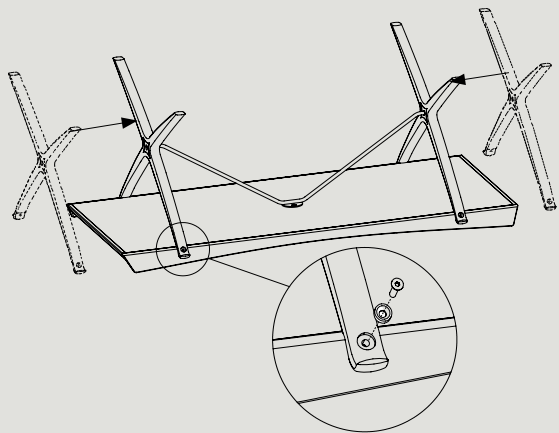
Step 1 / 3

Invert the Table top (A) and place on a soft, flat surface. Attach the Stretcher (B) to the Table top in the appointed holes with the screws (D).



Step 2 / 3

Slide the Legs (C) onto the ends of the stretcher and fasten to the Table top with a Washer (E) and a screw in each mounting hole.



Step 3 / 3

Install the screw (D) together with the Washer (E) in the appointed hole and fasten with the Allen Key (F).

