

## Safety instructions

Please keep these instructions.

1. This product contains a Li-ion battery. Misuse of the battery may lead to potentially hazardous outcomes. Damaged or defective batteries may increase the risk of critical battery failure. In case of smoke, battery swelling, or an odor while charging, terminate charging immediately.
2. To avoid a hazard, the battery shall be replaced exclusively by the manufacturer, the manufacturer's service agent, or a similarly qualified person.
3. The lamps get very hot when in use. Please allow the lamps to cool down before touching them.
4. Do not disassemble the lamp when switched on.
5. The system should not be enlarged with additional lamps.
6. Please do not place objects on your system (e.g. for decorative purposes) if they were not delivered with the system.
7. To avoid greasy fingerprints, wearing white cotton gloves when handling visible metal parts is recommended.
8. We reserve the right to make technical alterations.

IP65 - Suitable for outdoor use.

Light source: 3W, replaceable LED-module 3-step dimmable.

Battery: Li-ion, 7200mAh, 26.6Wh.

Operating temperature: -20°C to 60°C

Charging temperature: 0°C to 45°C

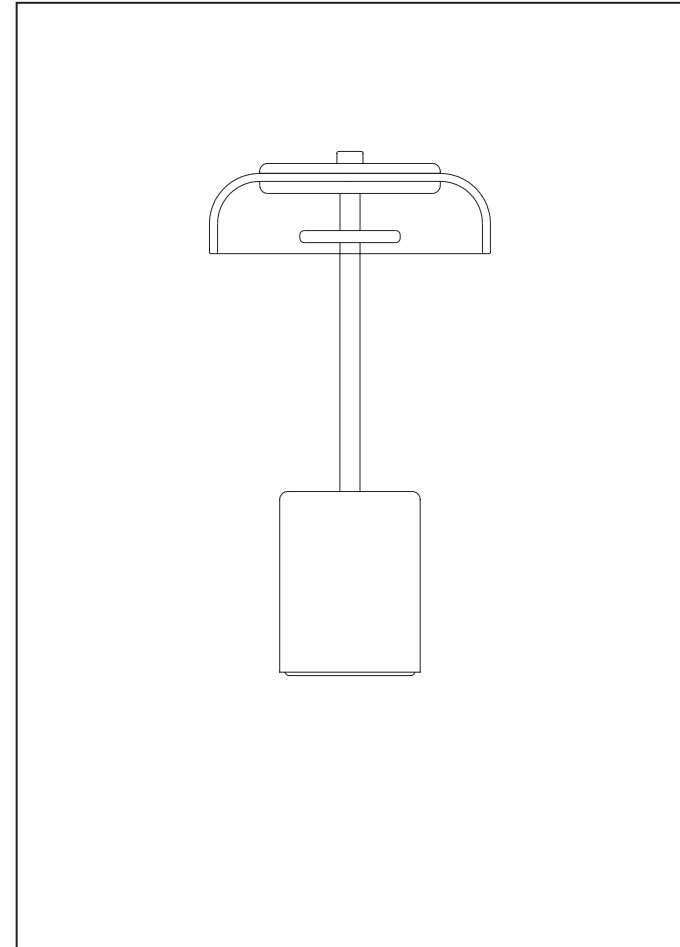


2024-03-15 EU

# Blossi Table Mini

portable

## User instructions



NUURA

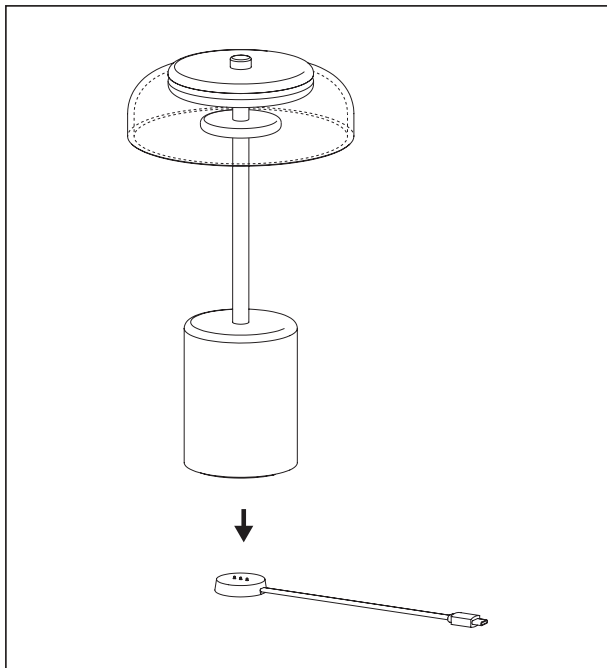
www.nuura.com  
info@nuura.com

© 2024 All rights reserved



NUURA

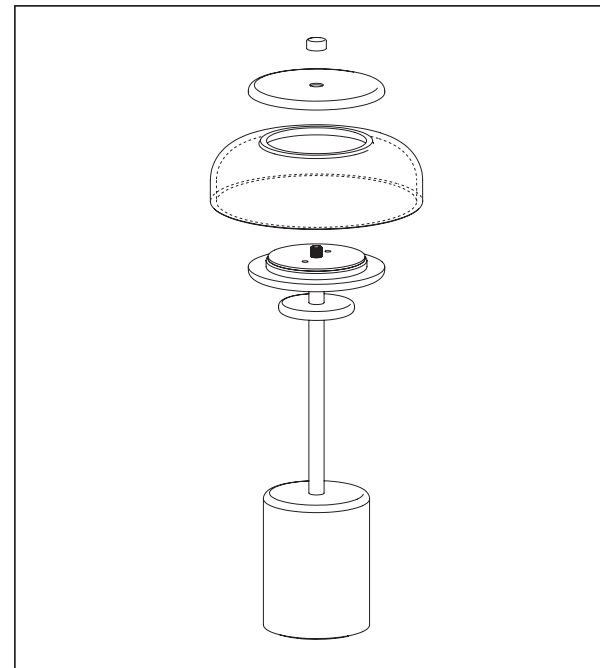
© 2024 All rights reserved



**Charging**

To charge the lamp, place it on the charging base and connect it to a USB-C power adapter. (The power adapter is not included)

The indicator light is red when charging.

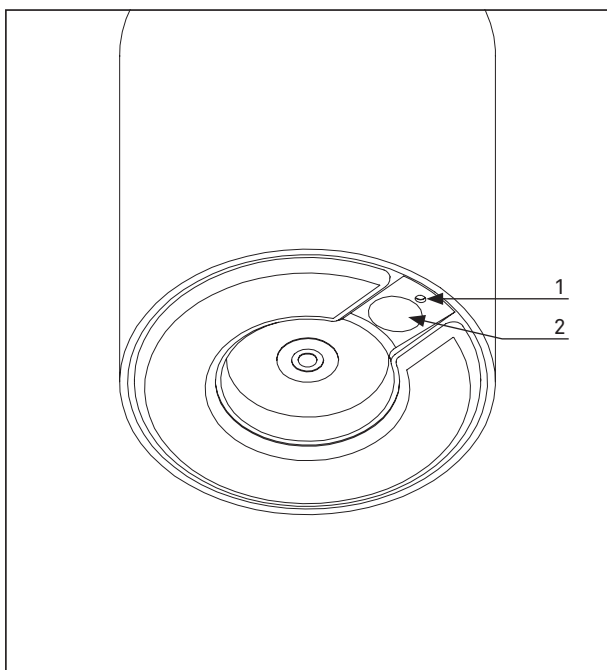


**Cleaning and replacement of shade**

For easier cleaning and replacement, the shade can be separated from the lamp. To remove it, turn the finger nut counterclockwise and lift the top plate off.

Use a soft, dry cloth to clean the product. Do not use household cleaners.

When reassembling, make sure to tighten the finger nut properly.

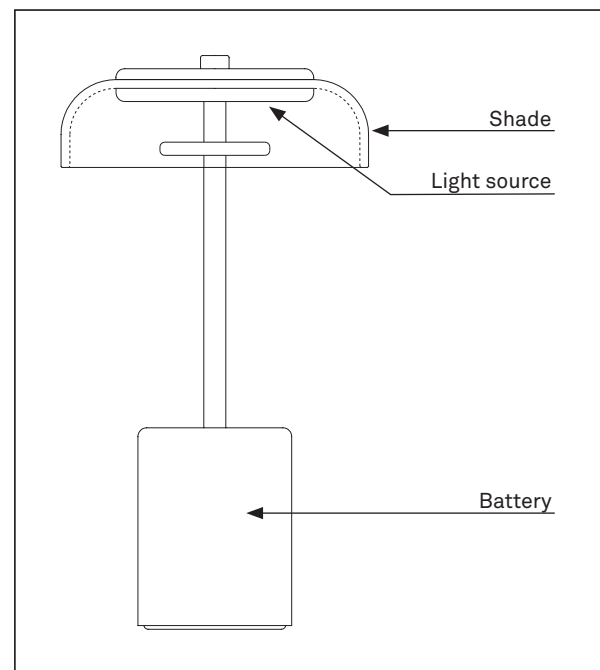


**1. Indicator light**

Green = fully charged  
Red = charging  
Flashing red = needs charging

**2. Touch function**

1<sup>st</sup> touch = 100% power  
2<sup>nd</sup> touch = 50% power  
3<sup>rd</sup> touch = 10% power  
4<sup>th</sup> touch = OFF



**Replaceable components**

Shade, LED-module and battery are replaceable.

Spare parts and instructions can be found at [www.nuura.com](http://www.nuura.com).