

## Safety instructions

Important! Before commencing installation work disconnect the main cable from the power supply - remove fuse or turn switch to "OFF"!

1. Installation should be carried out in accordance with the local safety regulations.
2. In order to prevent damage, please check walls for cables before drilling holes.
3. Please ensure that all electrical connections (even pre-assembled lamps) are screwed tightly or are fully inserted as good contact is essential for a long life-span at high currents. Please check for tight connections after changing or adjusting lamps. Screwed connections must be tightened after 20 minutes.
4. Please do not place objects on your system (e.g. for decorative purposes) if they were not delivered with the system.
5. The lamps get very hot when in use. Please allow lamps to cool down before touching.
6. Do not change lamps or spots when switched on.
7. System should not be enlarged with additional lamps.
8. We reserve the right to make technical alterations.

Please keep these instructions.

Fitting: G9

Use of a dimmer is highly recommended  
(Must be compatible with type of bulb.)

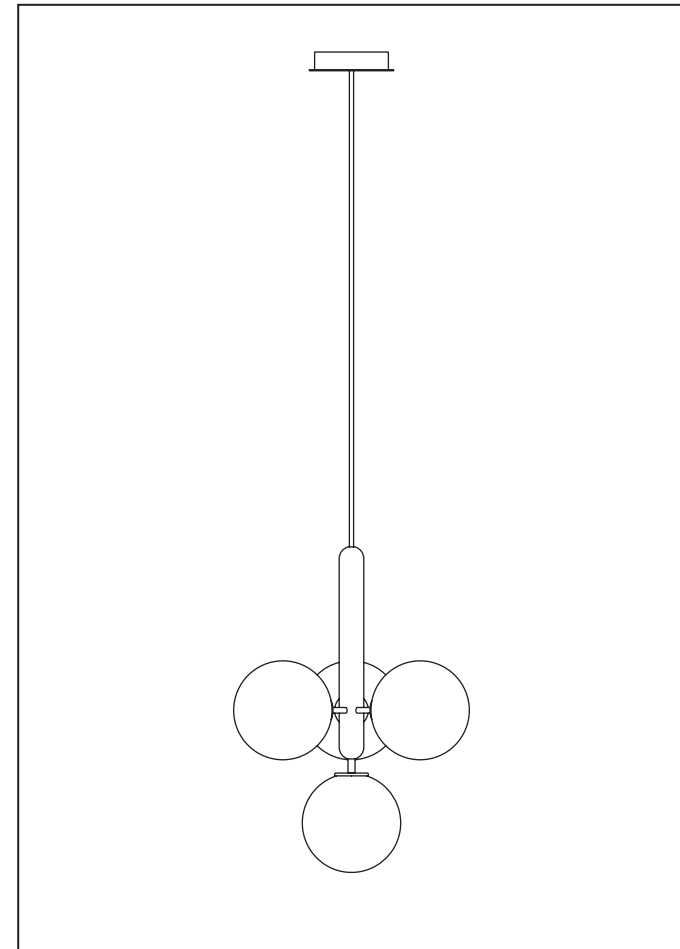
The glass used for this lamp is hand-blown.

Only 1st. quality has been chosen.

Air bubbles and variations in thickness and colour is normal.

# Miira 4

## Assembly Instructions



NUURA

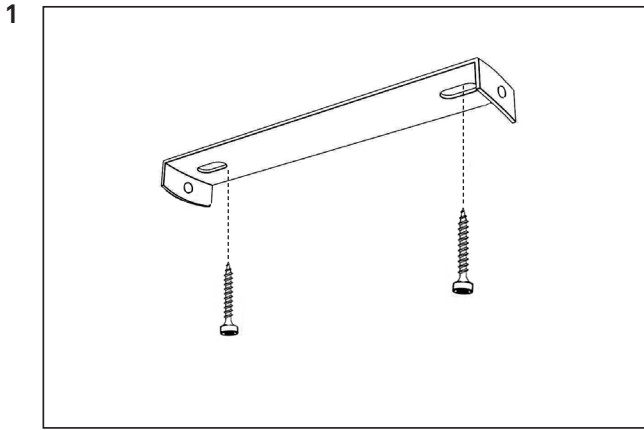
www.nuura.com  
info@nuura.com



© 2018 All rights reserved

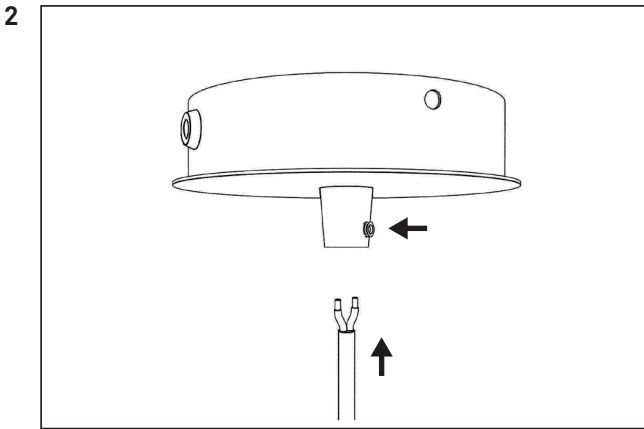
NUURA

© 2018 All rights reserved



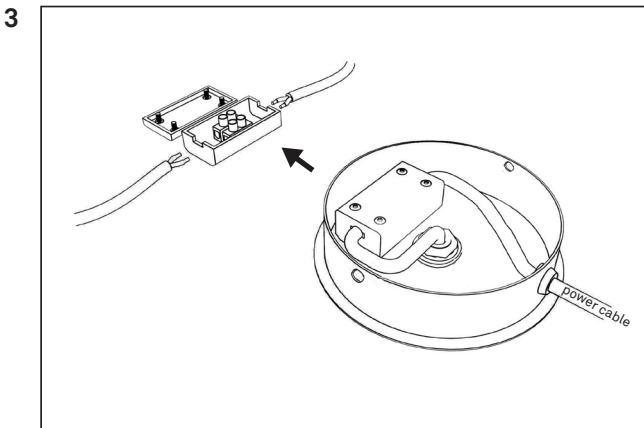
Mount the bracket to the ceiling with screws.

Please make sure it is fixated properly.



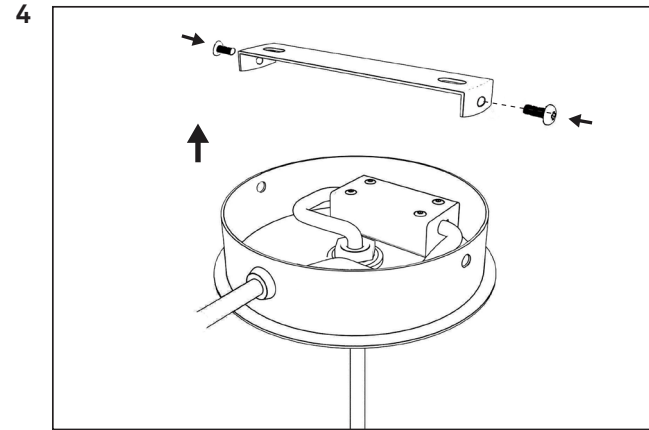
Lead the fabric cable in through the cable relief at the bottom of the ceiling plate.

Be sure to tighten the screw carefully and to leave enough of the cable inside the ceiling plate so the end can reach the cable connector.

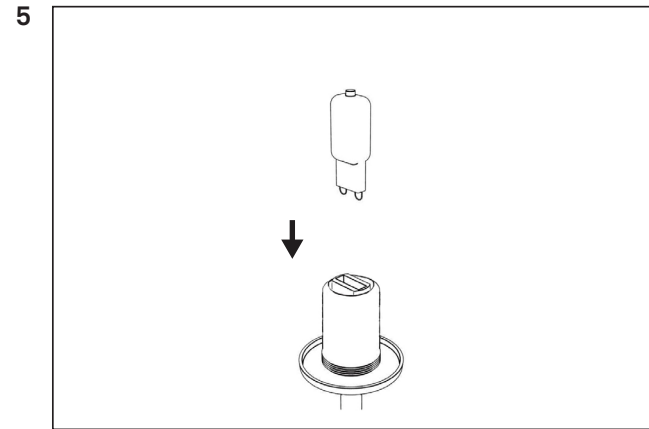


1. Lead the fabric cable into the cable connector.

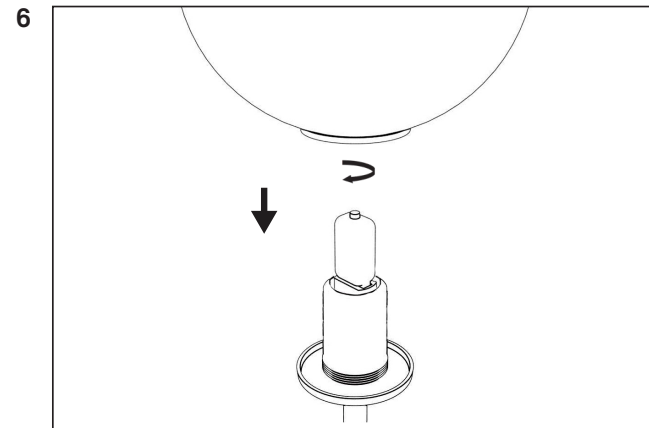
2. Install the power cable by leading it through the side of the ceiling plate and into the cable connector.



Attach the ceiling plate to the bracket with the screws.



Place a G9 light bulb in the socket.



Take the glass globe and carefully place it over the light bulb. Fixate it by turning the glass globe clockwise.