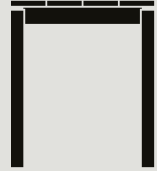


Instructions

Ville AV47 Anderssen & Voll 2025



Please read these instructions carefully and retain them for future reference to ensure the product is used correctly. For your own safety, please study each step of this instruction manual first. &Tradition is not responsible for any faults or damage caused by not following these instructions correctly. Do not modify this product in any way. If you have any questions or comments, please do not hesitate to contact us by mail on: info@andtradition.com

&Tradition[®]

Ville AV47

Anderssen & Voll

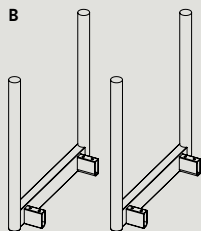
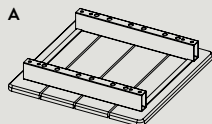
2025

Safety precautions

- Dispose of plastic bag from packaging and keep out of reach of children.
- Handle with care in order not to scratch surfaces.
- The product are intended for interior or exterior use.

Contents

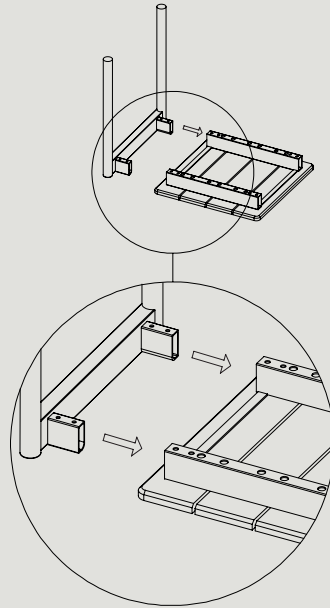
- A** Top x 1
- B** Legs x 2
- C** Screws x 8
- D** Washer x 8
- E** Allen Key x 1



Please follow steps 1-2 to assemble the product.

Step 1 / 2

Place the Top (A) on a soft flat surface and attach the Legs (B) to the Top in the appointed holes.



Step 2 / 2

Install the Screws (C) together with the Washer (D) in the appointed holes and fasten with the Allen Key (E).

