

Safety instructions

Important! Before commencing installation work disconnect the main cable from the power supply - remove fuse or turn switch to "OFF"!

1. Installation should be carried out in accordance with the local safety regulations.
2. In order to prevent damage, please check walls for cables before drilling holes.
3. Please ensure that all electrical connections (even preassembled lamps) are screwed tightly or are fully inserted as good contact is essential for a long life-span at high currents. Please check for tight connections after changing or adjusting lamps. Screwed connections must be tightened after 20 minutes.
4. Please do not place objects on your system (e.g. for decorative purposes) if they were not delivered with the system.
5. The lamps get very hot when in use. Please allow lamps to cool down before touching.
6. Do not change lamps or spots when switched on.
7. System should not be enlarged with additional lamps.
8. Use of a dimmer is highly recommended. Dimmer must be compatible with type of bulb.
9. If the external flexible cable or cord of this luminaire is damaged, it shall be exclusively replaced by the manufacturer or his service agent or a similar qualified person in order to avoid a hazard.
10. The glass used for this lamp is hand-blown. Only 1st. quality has been chosen. Air bubbles and variations in thickness and colour is normal.
11. We reserve the right to make technical alterations.

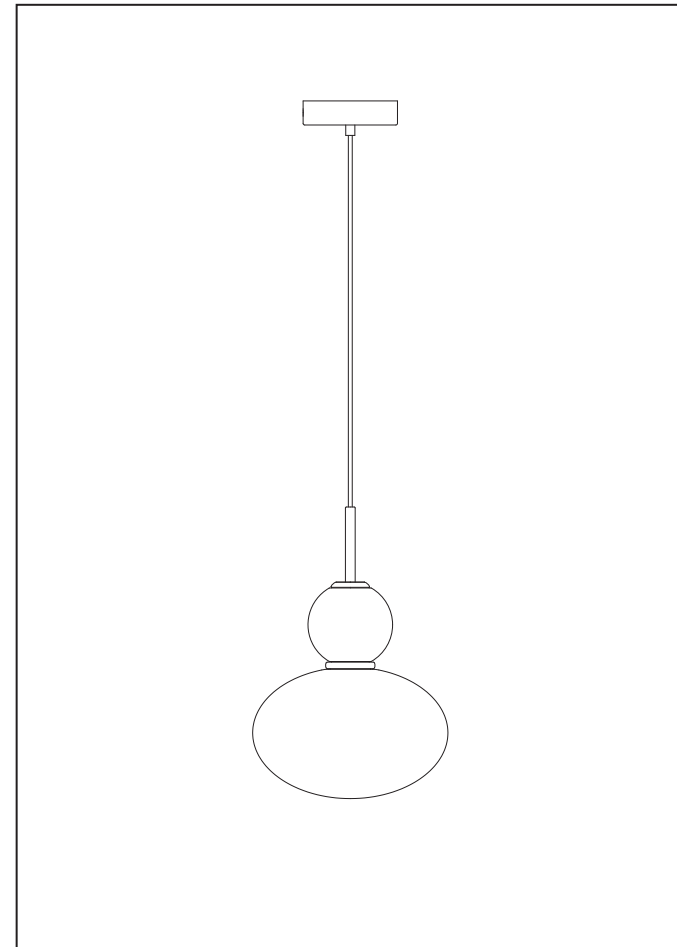
Please keep these instructions.

Fitting: E14

2021-05-27 EU

Rizzatto 32

Assembly Instructions



NUURA

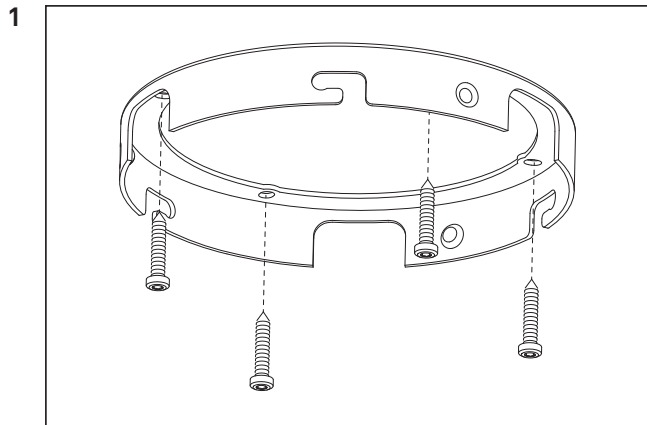
www.nuura.com
info@nuura.com

© 2021 All rights reserved

CE

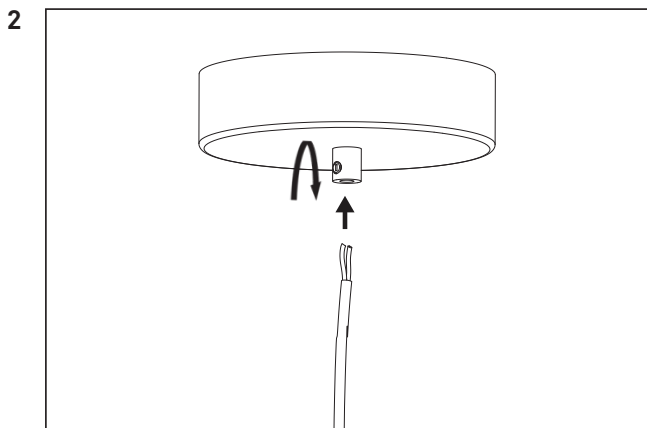
NUURA

© 2021 All rights reserved



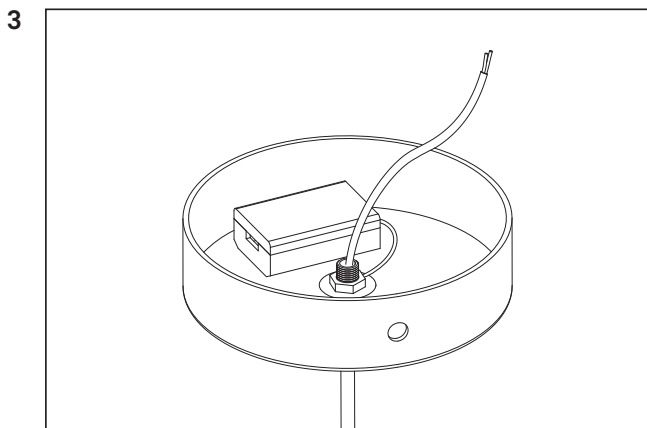
Mount the top plate to the ceiling with screws.

Please make sure it is fixated properly.



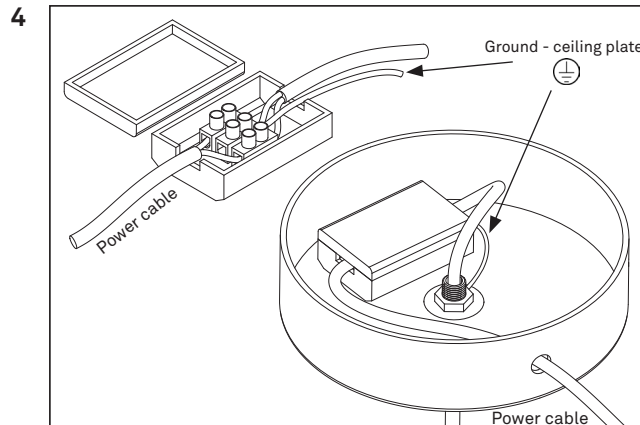
Lead the fabric cable in through the cable relief at the bottom of the ceiling plate. Adjust the cable to the desired length.

Be sure to tighten the screw carefully and to leave enough of the cable inside the ceiling plate so the end can reach the cable connector.

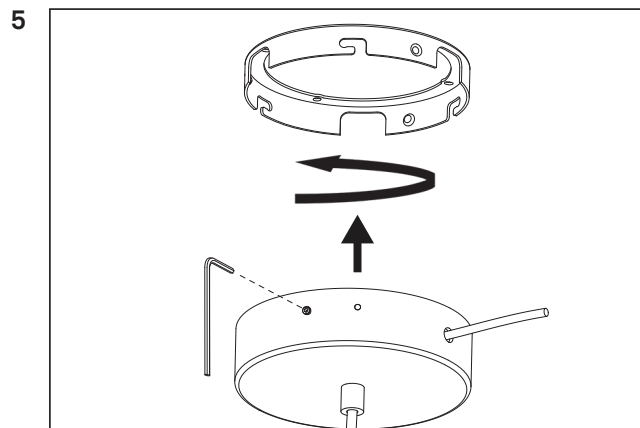


Cut the excess cable of.

Please make sure the cable is long enough to reach the cable connector.



Install the power cable by either leading the cable through the top or the side of the ceiling plate and into the cable connector inside the connector box.

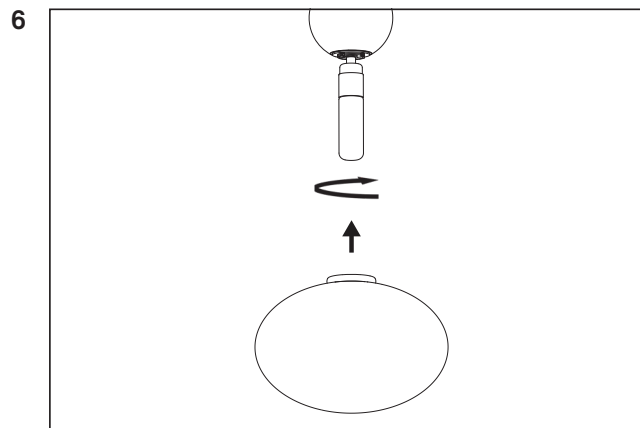


Attach the ceiling plate to the top plate by turning the ceiling plate.

Fixate with the socket screw. Install the socket screw with the Allen key provided.

NB: Please use only correct provided Allen key.

Please make sure everything is fixated properly.



Screw the light bulb into the socket.

Take the glass globe and carefully place it over the light bulb and socket.

Fixate it by turning the glass globe clockwise.

Please make sure they are fixated properly.

Completed.